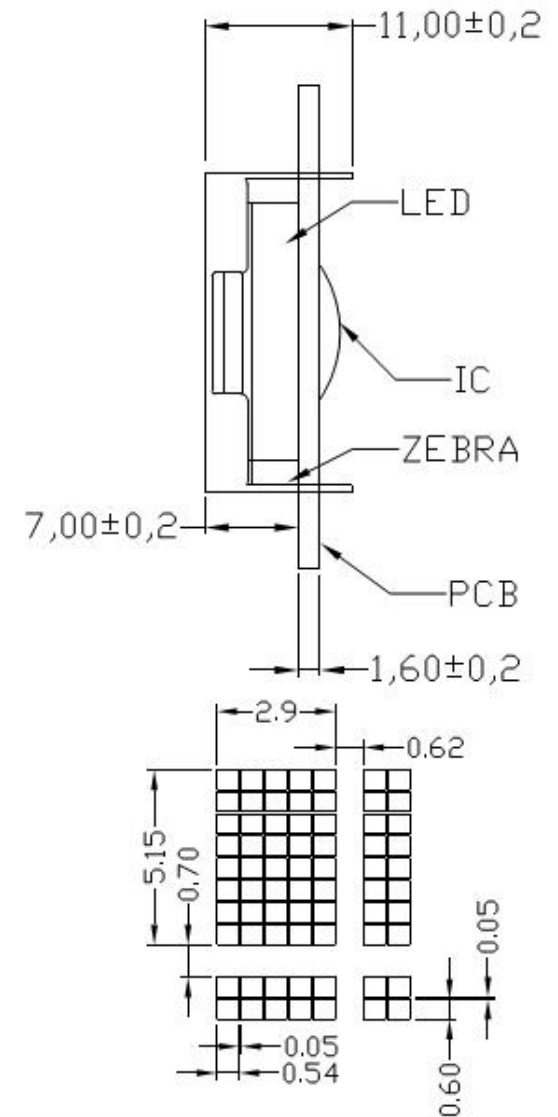


DISPLAY TYPE: STN/ BLUB
 VIEWING DIRECTION: 6:00
 DRIVING METHOD: 1/16DUTY 1/5BIAS
 OPERATING VOLTAGE: 4.7V
 OPERATING TEMPERATURE: -20° ~ 70°C
 STORAGE TEMPERATURE: -30°~80°C
 CONNECTOR: ZEBRA
 BACKLIGHT: LED<WHITE>

1	2	3	4	5	6	7	8	9	10	11	12	13	14	15	16
VSS	VDD	VO	RS	R/W	E	DB0	DB1	DB2	DB3	DB4	DB5	DB6	DB7	BLA	BLK



LUMMAX ELECTRONIS CO.,LTD

TOLERANCE		FINISH		MODEL NAME
VERSION	SCALE	NO.	UNIT	
A	1:1	1/1	mm	1601A
DATE	APPROVED	CHECKED	DRAWN	
2012.08.03				