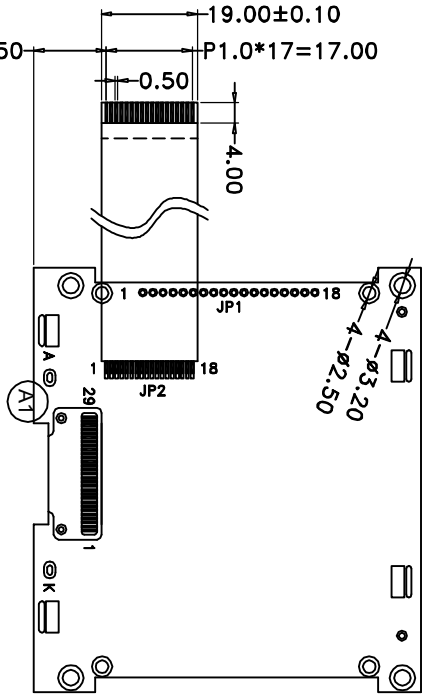
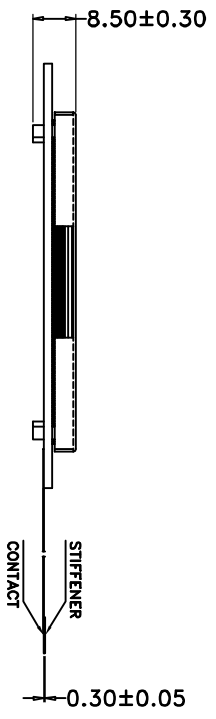
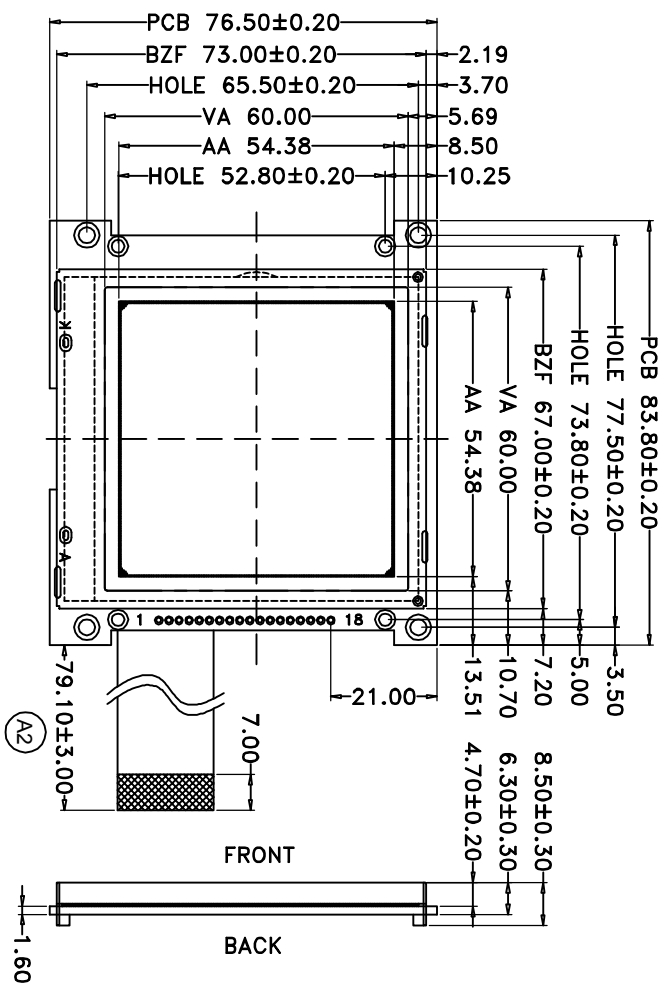


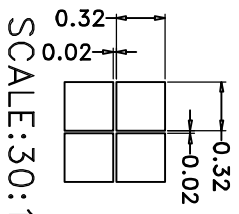
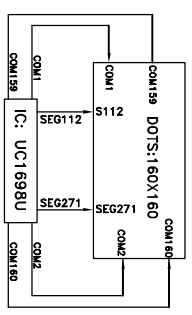
Signature: _____ Date: _____

REV.	DESCRIPTION	REVISION	DATE
A0	新出图	luojinwei	2013/01/14
A1	改AK脚焊盘的位置	luojinwei	2013/04/15
A2	改FPC的长度	luojinwei	2013/04/15



JP1&JP2:

PIN	SYMBOL
1	VSS
2	A0
3	WR
4	RD
5	XCS
6	RST
7	VDD(3.3V)
8	D0
9	D1
10	D2
11	D3
12	D4
13	D5
14	D6
15	D7
16	K
17	NC
18	A(5V)



SCALE:30:1 COM & SEG LAYOUT

由 Autodesk 教育版产品制作

Specifications:

1. Display Mode: FSTN/Black-White/Transflective/Positive.
2. Viewing Angle: 6.0'clock.
3. Drive Method: 1/160Duty 1/10Bias, Vop=16.5V, Vdd=3.3V.
4. Top: -30°C~+80°C, Tst: -30°C~+80°C.
5. Connector: COG+FPC.
6. Backlight: 1*5 PCS WHITE LED Side Backlight; If=80mA & Vf=5.0±0.1V, X=0.260~0.32, Y=0.260~0.32.
7. Drive IC: UC1698U
8. RoHS Compliant: Yes.
9. With " * " Mark Dimensions Are Important Dimensions.

LUMMAX ELECTRONICS CO., LTD

Unspecified Tolerance:	±0.20	UNIT'S: mm	DATE:	MODEL NUMBER:	PROJECTION	SHEET:
DESIGN BY:		luojinwei	2013/01/14	160160A		1 OF 1
CHECKED BY:						
DO NOT SCALE THIS DRAWING.						DATE: 2013/01/14

Autodesk 教育版产品制作