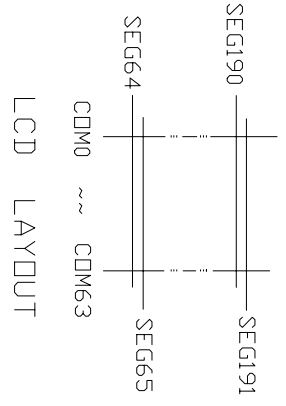
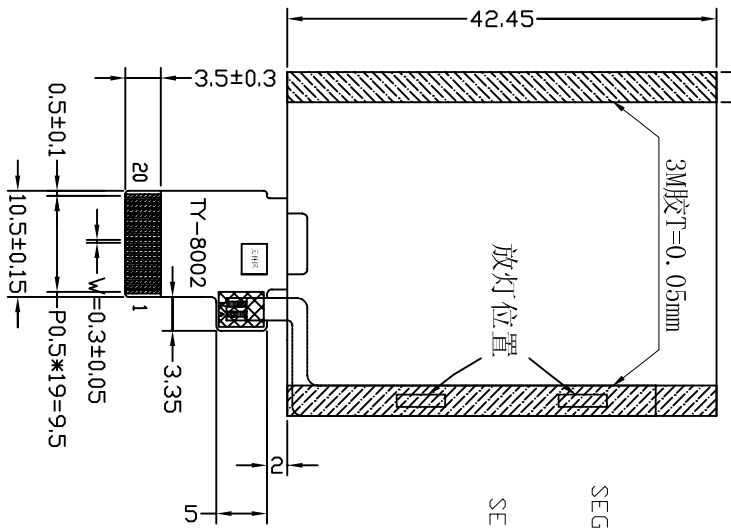


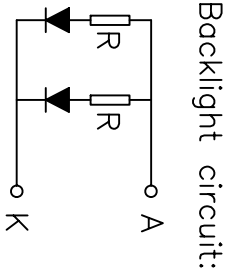
- NOTES:
1. DISPLAY TYPE: FSTN
  2. DISPLAY MODE: Transmissive/Positive
  3. VIEWING DIRECTION: 6:00
  4. DRIVER METHOD: 1/64DUTY, 1/9BIAS
  5. OPERATING VOLTAGE: VDD=3.3V, VLcd=9V
  6. OPERATING TEMPERATURE: -20° ~ 70° C
  7. STORAGE TEMPERATURE: -30° ~ 80° C
  8. IC DRIVER: ST7539 /COG

SYM	REV	DESCRIPTION	DATE
01	First issue		Jul-04-2014
05	修改接口, 修改背光电压		Aug-15-2014
06	LCD改全透		Aug-26-2014
07	fpc丝印改"TY-8001", 背光背面加双面胶		Sep-18-2014
08	背光背面双面胶尺寸更改		Sep-23-2014
09	FPC修改丝印, 玻璃增加易撕贴		Dec-11-2014



PINS ASSIGNMENTS

NO.	SYMBOL
01	LED_K
02	LED_A
03	GND
04	VDD
05	NC
06	NC
07	/CS
08	/RST
09	RS
10	SCL
11	SDA
12	NC
13	NC
14	NC
15	NC
16	NC
17	NC
18	NC
19	NC
20	GND



2pcs White LED  
Vf=2.8V, If=12mA

接口为41line-SPI

TITLE:	CD	LUMMAX ELECTRONICS CO., LIMITED
Draw:	XQC	MODEL: HEM12864-233
Chk:		UNIT: mm
Appr:		SCALE:
		DWG No: C-09
		GENERAL TOL: ±0.2
		SHEET No: 1/1