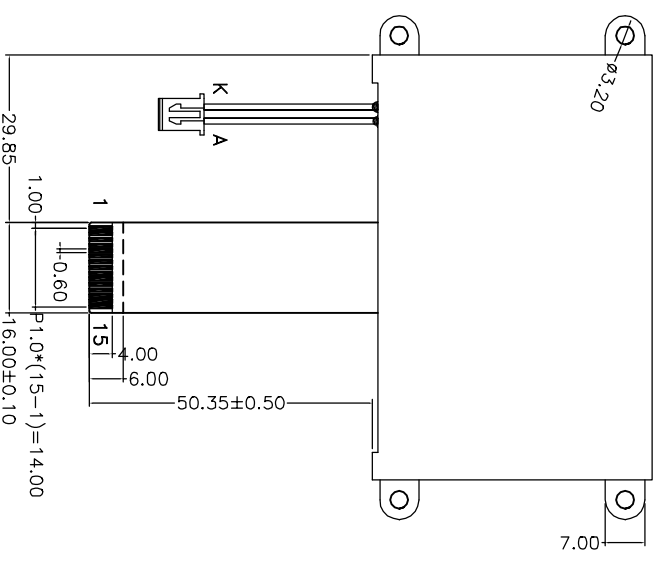
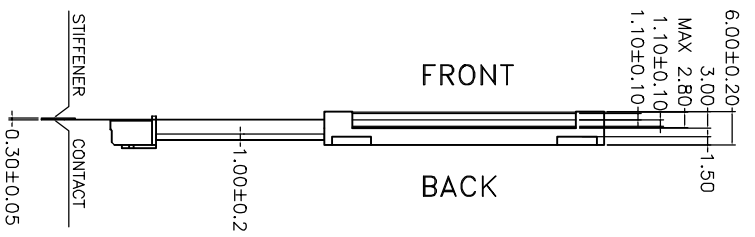
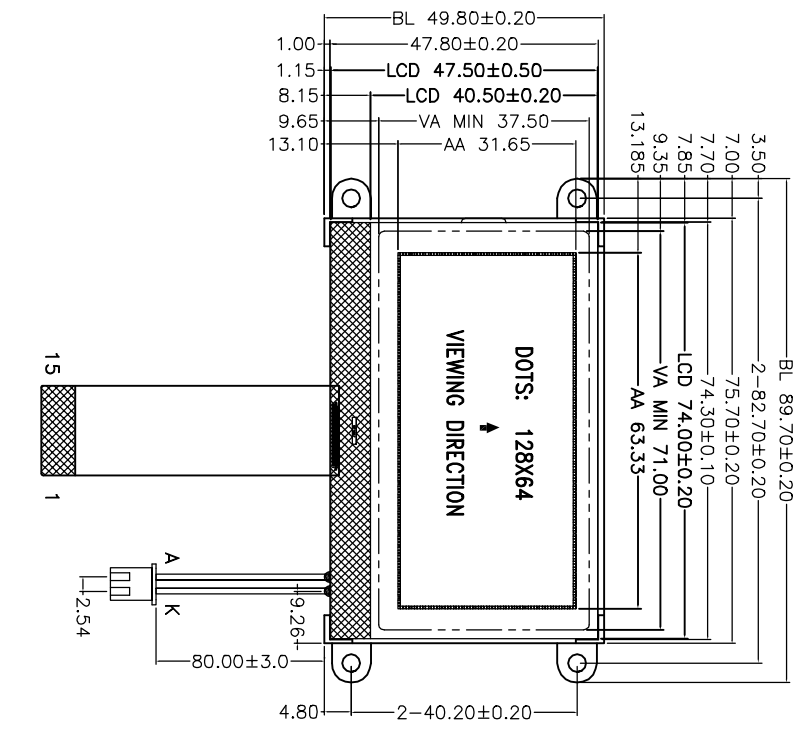
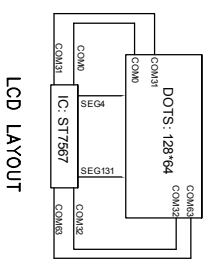
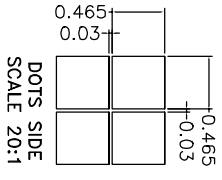
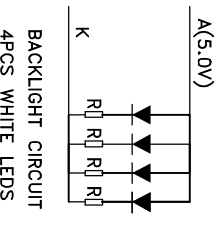


REV.	DESCRIPTION	DATE
A0	First Issue	2014.08.2



PIN	SYMBOL
1	NC
2	NC
3	/CS1
4	/RES
5	A0
6	SCLK
7	SDA
8	VDD
9	VSS
10	V0
11	XV0
12	VM0
13	VG
14	NC
15	NC



Specifications:

1. Display Mode: FSTN, Grey, Transflective, Positive
2. Viewing Angle: 6.0'clock.
3. Drive Method: 1/65 Duty 1/9 Bias, Vop=9.2V, Vdd=3.0V.
4. Top: -20°C~+70°C, Tst: -30°C~+80°C.
5. Connector: COG+FFPC.
7. Drive IC: ST7567
8. Backlight: 4PCS WHITE LEDS, If=40mA & Vf=5.0±0.10V
9. With " * " Mark Dimensions Are Important Dimensions.

LUMMAX ELECTRONICS CO.,LTD

Unspecified Tolerance:	±0.20	UNITS: mm	DATE:	MODEL NUMBER:	PROJECTION	SHEET:
DESIGN BY:	luojinwei	2014.08.20	12864-143			1 OF 1
CHECKED BY:						DATE: 2014.08.21