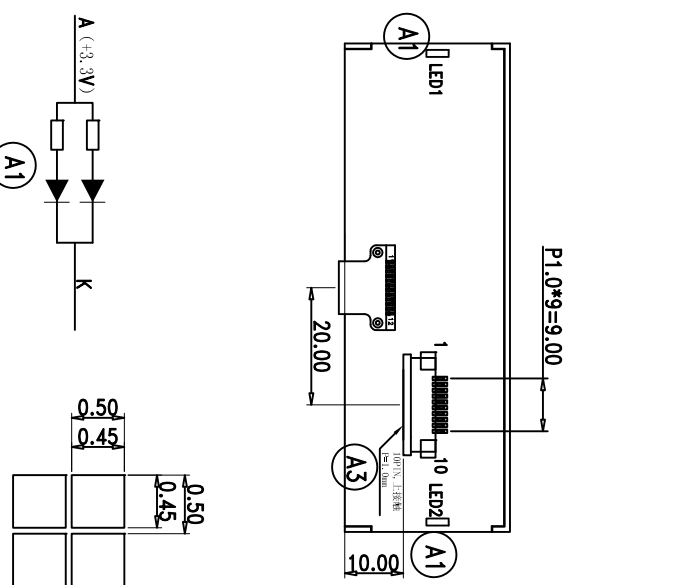
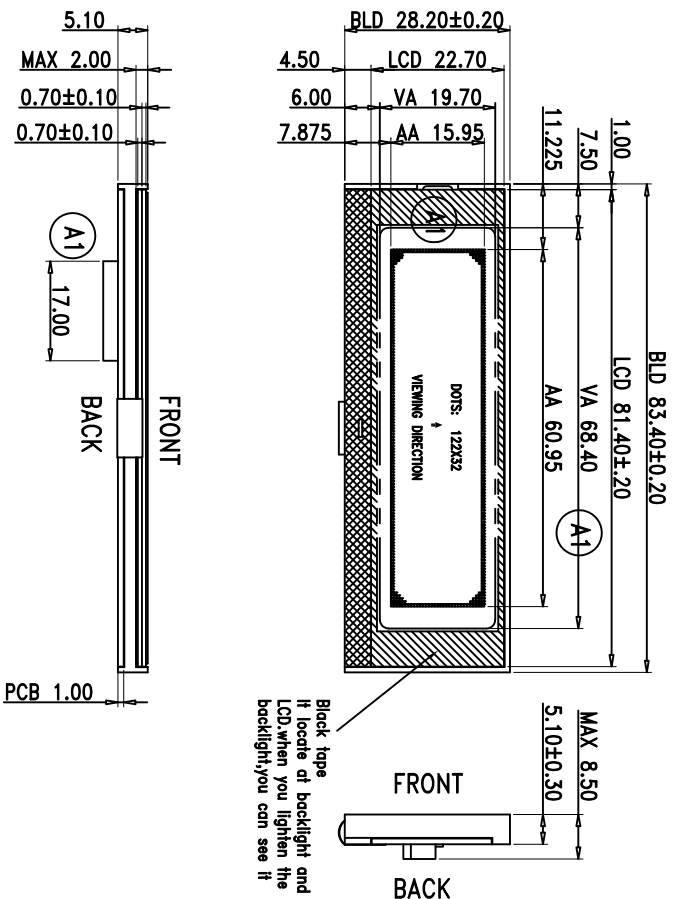


All Pages Of This Edition Approved
Signature: _____ Date: _____

REV.	DESCRIPTION	REVISER	DATE
A0	新出图	luojinwei	2012/8/30
A1	更改背光的结构和背光的电流	luojinwei	2012/8/30
A2	修改接口定义	luojinwei	2012/9/24
A3	修改连接座的接触方向	luojinwei	2013/2/10



PIN	SYMBOL
1	CSB
2	RST
3	A0
4	SCLK
5	SDA
6	VDD(3.3V)
7	VSS
8	VSS
9	A(3.3V)
10	K

LUMMAX ELECTRONICS CO., LTD

- Specifications:
1. Display Mode: STN/BLUE/Transmissive/Negative.
 2. Viewing Angle: 6 0'clock.
 3. Drive Method: 1/33 Duty 1/6Bias, Vop=6.0V, Vdd= 3.3V.
 4. Top: -20°C~+70°C, Tst: -30°C~+80°C.
 5. Connector: COG+FP.
 6. Backlight: 1*2PCS WHITE LED Side Backlight; If <math>I_f < 30mA </math> & Vf=3.3±0.2V.
- X=0.260~0.32, Y=0.250~0.32.
Luminance: >100cd/m²(Backlight Surface).Uniformity: >75%.
- Drive IC: ST7567
RoHS Compliant: Yes.
With " * " Mark Dimensions Are Important Dimensions.

Unspecified Tolerance: ±0.20	UNITS: mm	DATE:	MODEL NUMBER:	PROJECTION	SHEET:	DATE:
DESIGN BY: luojinwei	2012/8/30	HSG12232-01-NTUSW-R_A2	DO NOT SCALE THIS DRAWING.		1 Of 1	2012/8/30
CHECKED BY:						
CUSTOMER NO.:						